


Version	2.0	Date	8/15/18
Prepared By	JC		

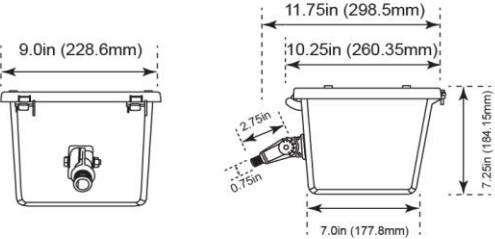
PRODUCT SPECIFICATION		PICTURE
Category	Floodlight	
Item Number	7181	
Stock Code	LED-FXFDL58/40K/DB-KNC	
Mounting	Knuckle Mount	
Housing Color	Dark Bronze	

ELECTRICAL CHARACTERISTICS			
Rated Wattage (W)	58	Replacement Wattage (W)	250
Tested Wattage (W)	57.44		
Input Voltage (V)	120-277	Surge Protect Level	-
Voltage Frequency (Hz)	50/60	Dimmable	-
Input Current (A)	0.7	AUX (12V) Line	-
Power Factor	>0.9		
THD	<20%		

PHOTOMETRIC CHARACTERISTICS			
Lumen (lm)	6,735	CCT (K)	4000K
Efficacy (lm/w)	117	Beam Angle (°)	Flood
CRI	>70		

GENERAL CHARACTERISTICS	
Operating Temperature (°F)	- 22°F ~ 122°F
Storage Temperature (°F)	- 22°F ~ 122°F
IP Rating	IP66
Rated Life (Hrs)	50,000
Warranty (Yrs)	5

ACCESSORIES		
Item #	Stock Code	Description
P10036	SEN-PHO-BT-MT/MV	Button Photocell 120-277V

PRODUCT DIMENSIONS		
Width- in / (mm)	9.00" 228.6	
Height- in / (mm)	11.75" 298.5	
Depth- in / (mm)	7.00" 177.8	
EPA (ft²)	-	
Weight (lbs)	7	
Mounting Height (ft)	-	
Cable Length (ft)	-	

CERTIFICATIONS			
UL/ETL	UL	CEC	
NSF/ETL Sanitation		JA8	
Energy Star		FCC	✓
DLC		RoHs	✓

DOCUMENTS			
LM79	✓	IES File	✓
LM80	✓	Dimmer List	

COMMENTS